

LSC I+II lightning strike and surge counter

Lightning strike and surge counter for the recording of lightning and impulse currents, now with date and time

Total control

The LSC I+II lightning strike and surge counter records lightning and impulse currents (10/350, 8/20) and saves the result, including time and date, securely.

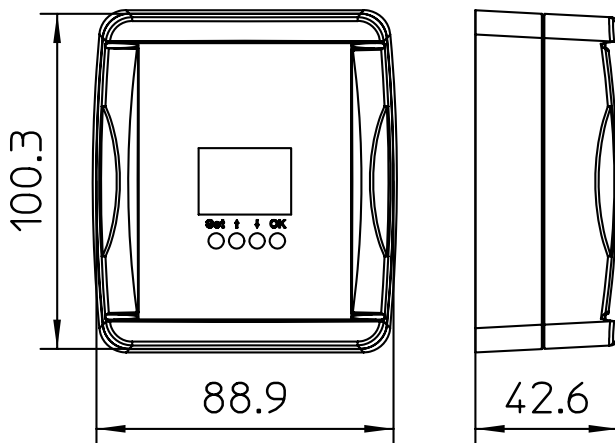


- Can count up to 999 lightning strikes, displaying date and time (1-100 kA)
- IP64: also suitable for outdoor areas 65
- Cable clip for round conductors and flat conductors
- Direct mounting onto the conductor or the PE line of the surge protection device
- Exchangeable lithium battery with a lifespan of up to 5 years
- LCD display

Total control

The LSC I+II lightning strike and surge counter records lightning and impulse currents (10/350, 8/20) and saves the result, including date and time, securely. In this way it's continuously checked if lightning has struck the lightning protection system or if surges in the system have occurred.

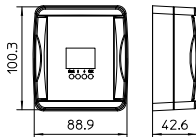
When a lightning strike or surge incident has occurred, the complete lightning protection system must be serviced according to VDE 0185-305 (IEC 62305).n.



Included in the delivery:

- Type LSC I+II meter
- Mounting accessories for round conductor 8-10 mm and flat conductor up to 30 x 3.5 mm
- Mounting instructions
- 2x lithium batteries

Lightning strike counter



Type	Measuring range	Pack. pcs	Weight kg/100 pcs.	Item No.
LSC I+II	1 kA - 100 kA	1	36,000	5091 72 2
Plastic				/pc.

The LSC I+II lightning strike counter measures and permanently saves pulse currents, together with the date and time. This ensures constant monitoring in order to notice if any lightning has struck the lightning protection system. Should this be the case, then the lightning protection system must be maintained according to VDE 0185-305 (IEC 62305).

- Saving and display of time and date
- Usable both inside and outside due to its protection class of IP65
- Cable clip for round conductor or flat conductor
- Direct mounting on the arrester or the PE cable of the surge protection device
- Long lifespan of the internal lithium batteries
- LCD display
- Internal battery